

TUN-84131

4MP HD Hybrid IR Bullet Camera

Key Features

- 1/2.7" CMOS Sensor
- 4MP Resolution(TVI/AHD)
- Fixed 3.6mm Lens
- Day & Night(IR Cut Filter)
- Digital Noise Reduction
- 1 Array IR LED
- IP66

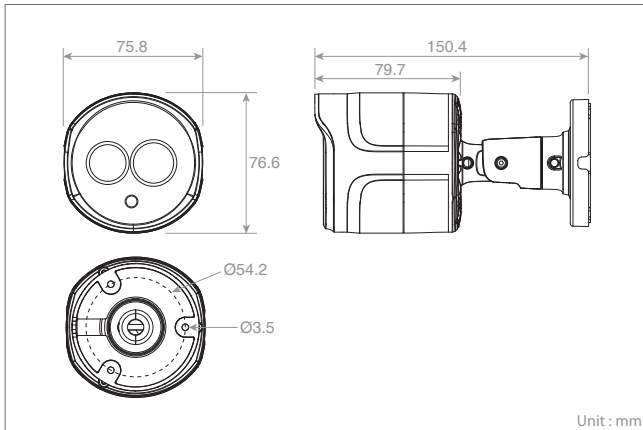
Key Functions

- TVI/AHD/CVBS Selectable
- High Speed, Long Distance Real Time Transmission
- NTSC/PAL Selectable
- LSC(Lens Shading Correction)
- Coaxial Communication(UTC)

Optional Accessory

- HJB400(Junction Box)
- HJB401(Pendant Mount)

Dimension



Technical Specifications

| | | |
|------------------------|--|-----------------------|
| Model | TUN-84131 | |
| IMAGE | | |
| Lens | Fixed 3.6mm, F2.0 | |
| Angle of View | 76°(H) | |
| Image Sensor | 1/2.7" CMOS Sensor | |
| Min. Illumination | Color : 0.5Lux@F2.0, 50IRE BW : 0Lux@IR LED On | |
| Scanning Mode | Progressive Scan | |
| Sync System | Internal | |
| Day and Night Mode | True D/N(Auto, Color, B&W) | |
| Wide Dynamic Range | DWDR | |
| Noise Reduction | 2DNR | |
| Image Effect | Mirror, V-Flip, Rotate, LSC(Shading) | |
| Shutter Speed | Auto, FLK~1/50000sec | |
| S/N Ratio | more than 50dB(AGC Off) | |
| IR Illuminator | Quantity | 1 Array IR LED, 850nm |
| | Distance | 20m |
| VIDEO | | |
| Resolution | 4MP(AHD, TVI) | |
| Frame Rate | 25/30fps(PAL/NTSC) | |
| Video Output | TVI, AHD, CVBS Selectable(OSD) | |
| Video Mode | NTSC, PAL Selectable(OSD) | |
| FUNCTION | | |
| Defect Detection | Live DPC, White DPC | |
| Language | ENG, CHN, GER, FRA, ITA, SPA, POL, RUS, POR, NED, TUR, JPN | |
| OSD Setup | Coaxial Control(UTC) | |
| EXTERNAL IN/OUT | | |
| Power Input | DC Jack | |
| Video Output | BNC Connector | |
| ETC | | |
| Operating Humidity | 0~96%RH(Non-Condensing) | |
| Operating Temperature | -20~+50 °C | |
| Power Supply | 12VDC±10% | |
| Power Consumption | 290mA(3.5W) | |
| Dimension | 75.8(W)x76.6(H)x150.4(D)mm | |
| Net Weight | Approx. 440g | |
| Ingress Protection | IP66 | |

Specifications are subject to change without notice.