

TMT-22032D3A

20X 2MP HD Hybrid Mini Speed Dome Camera

Key Features

- Hybrid HD Analog Camera : AHD or HD-TVI
- 2MP Resolution(AHD, HD-TVI)
- Optical Zoom 20X, Digital Zoom 16X
- True WDR, True Day & Night
- Max. 380°/sec Speed(Preset)
- Preset(240), Tour(8), Pattern(8), Privacy(16)
- Alarm Input(4), Alarm Output(2)
- 12VDC, 24VAC
- IP66

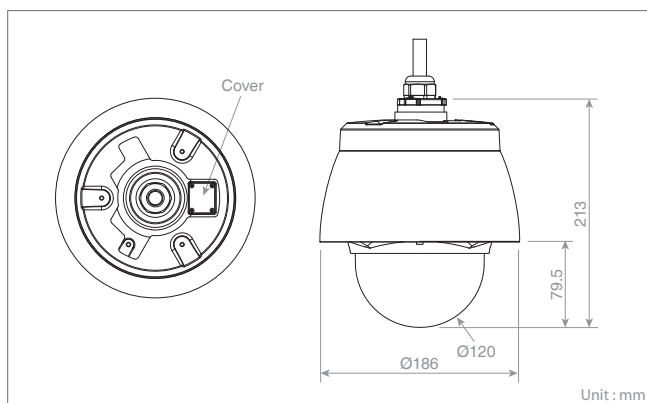
Technical Specifications

Model	TMT-22032D3A
IMAGE	
Lens	Optical Zoom 20X, 4.7~94mm
Angle of View	55.5~3°(H)
Image Sensor	1/2.8" SONY STARVIS CMOS Sensor 1945(H)x1097(V)
Min. Illumination	Color : 0.35Lux / BW : 0.013Lux, 50IRE
Scanning Mode	Progressive Scan
Wide Dynamic Range	True WDR
Day and Night Mode	True D/N(Auto, Day, Night)
Noise Reduction	3DNR
Digital Zoom	16X
Exposure Control	Auto, Manual, Shutter Priority, Iris Priority
White Balance Control	Auto, Manual, Incandescent, Fluorescent, Outdoor
Back Light Compensation	Yes
Image Effect	Flip(Digital)
Shutter Speed	25/30fps : Auto(1/30,000~x8sec), Manual 50/60fps : Auto(1/50,000~x8sec), Manual
DIS	Yes
Defog	Yes
VIDEO	
Resolution	HD-TVI : 1080p@25/30fps, 720p@25/30/50/60fps AHD : 1080p@25/30fps
Video Output	HD-TVI or AHD, Composite
PTZ FUNCTION	
Pan Range	360° Endless
Pan Speed	Max. 380°/sec.(Preset)
Tilt Range	-10~190°
Tilt Speed	Max. 380°/sec.(Preset)
Auto Calibration	0.1~6"
Preset	240
Tour	8
Pattern	8
Home Function	Yes
Privacy Mask Zone	16 Programmable Zones
EXTERNAL IN/OUT	
Video HD Output	BNC Jack
Video Composite Output	BNC Jack
Alarm	4 Input, 2 Output
Control	Coaxial Communication RS-485, Baud Rate : 2,400~38,400bps(Default : 9,600bps)
ID(Camera Address)	1~3999
ETC	
Operating Humidity	0~90% RH(Non-Condensing)
Operating Temperature	-50~+65°C
Power Supply	Camera : 12VDC, 24VAC Heater & Fan : 24VAC
Power Consumption	Camera : 1A(12W)@12VDC, 24VAC Heater & Fan : 1.7A(45W)@24VAC
Dimension	186(Ø)x213(H)mm
Net Weight	Approx. 2.3kg
Ingress Protection	IP66

Optional Accessory

- HDB241(Ceiling Bracket)
- HDB242E(Wall Bracket)

Dimension



Specifications are subject to change without notice.