



NUH-52J1C

2MP IP-over-Coax Bullet Network Camera

Key Features

- IP Data and Power Transmission through Coax Cable
- Data and Power Transmission Distance up to 1km
- H.265, H.264 Support
- 2M Resolution
- Motorized Varifocal 2.8~12mm Lens
- True WDR
- 34 IR LEDs for 30m Coverage
- Alarm In/Out(1/1), Audio In/Out(1/1)
- Micro SD Card(SDHC, SDXC)
- PoE/PoC(Power-over-Coax)
- IP66

Technical Specifications

Model	NUH-52J1C	
IMAGE		
Lens	Motorized Varifocal 2.8~12mm, F1.6, P-Iris	
Angle of View	100~33°(H)	
Image Sensor	1/2.8" SONY STARVIS CMOS Sensor	
Min. Illumination	Color : 0.03Lux@F1.6 / BW : 0Lux@F1.6	
Scanning Mode	Progressive Scan	
Wide Dynamic Range	True WDR	
Day and Night Mode	True D/N(Auto, Day, Night)	
Noise Reduction	2DNR, 3DNR	
Digital Zoom	Yes(ROI)	
Exposure Control	Auto	
White Balance Control	Auto, Manual	
Metering Mode	Spot(BLC), Center, Average, Left, Right	
Image Effect	Flip, Mirror, Defog	
Flicker Free Mode	50Hz, 60Hz	
Shutter Speed	Auto(1/10,000~1sec), Manual	
IR Illuminator	Quantity	34 IR LEDs
	Distance	Up to 30m
Motorized Lens Control	Smart Focus, Manual	
VIDEO/AUDIO		
Compression	H.264(BP, MP, HP), H.265(MP), MJPEG	
Bitrate Control	CBR, CVBR	
Resolution	1920x1080, 1440x1080, 1280x1024/720, 1024x768, 800x600/480, D1, 640x480, 400x240, CIF	
Frame Rate	Max. 25/30fps	
Streaming	Quad Stream : H.264/H.265x3, MJPEGx1	
Composite Out	Yes	
Audio Compression	G.711	
Audio Streaming	2 Way	
SYSTEM		
Video Contents Analysis	Tampering, iVMD, Intrusion Detector	
Motion Detection Area	16 Programmable Area(Include Area 8, Exclude Area 8)	
Privacy Mask Zone	8 Programmable Zone	
FTP Uploading	MJPEG	
Event Notification	E-mail, FTP, Notification Server, XML Notification, Audio Alert	
Audio Alert	User Defined 3 Audio File	
Login Authority	Administrator, Operator, Guest	
Event Buffering	FTP	Pre : 30sec, Post : 30sec
	SD Record	Pre : 10sec, Post : 60sec
Manual Trigger	4 Programmable Trigger	
Security	Multi User Authority, IP Filtering, HTTPS, SSL	
Network Time Sync	NTP Server, Synchronized Computer, Manual	
Software Reset	Restart, Reset, Factory Default	
Hardware Factory Reset	Yes	
Auto Recovery	Backup, Restore	
Remote Upgrade	Web Browsing(IE, Chrome, Safari, Firefox), SmartManager	
SD Recording Mode	Event, Continuous	
NETWORK		
Protocol	TCP/IP, UDP, IPv4/v6, HTTP, HTTPS, QoS, FTP, UPnP, RTP, RTSP, RTCP, DHCP, ARP, Zeroconf, Bonjour	
Client Software	Web, SmartManager, Client S/W, Mobile S/W	
Max. User Connection	Live : 10 Users, Playback : 3 Users	
API Support	Open API, Onvif Compliance	
Mobile Support	Android, iOS	
EXTERNAL IN/OUT		
Video Composite Out	5pin Micro USB	
Audio	1 Input, 1 Output(Terminal Block)	
Alarm	1 Input, 1 Output(Terminal Block)	
Coax	BNC 1x75ohm(EoC)	
u-SD Card	SDHC, SDXC	
ETC		
Operating Humidity	0~90% RH(Non-Condensing)	
Operating Temperature	-20~+50 °C	
Power Supply	PoE(IEEE802.3af Compliance, Class0)	
Power Consumption	200mA(9W)@PoE	
Dimension	90.4(W)x84(H)x280.5(D)mm	
Net Weight	Approx. 1030g	
Ingress Protection	IP66	

Key Functions

- Smart Codec
- Intelligent Video Motion Detection, Intrusion Detector
- Quad Stream(H.264/H.265, MJPEG)
- Onvif Profile S
- Easy Install : Zero Configuration, Discovery, PoE
- Multi User Authority, IP Filtering, HTTPS, SSL
- Cross Web Browsing(IE, Safari, Firefox, Chrome)
- Privacy Masking

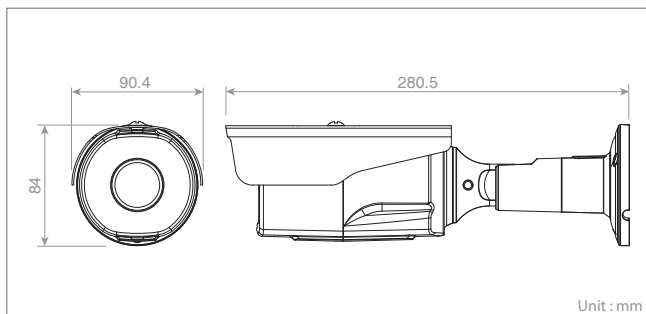
Software

- SmartManager
- Titanium 2.0
- Titanium Mobile

Optional Accessory

- HJB200(Junction Box)

Dimension



HITRON SYSTEMS INC.
 5953-85, Seodong-daero, Samjuk-myeon, Anseong-si,
 GyeongGi-Do, 17515, Korea
 T : 031-670-9100 / F : 031-670-9199 / E : inquiry@hitron.co.kr

Copyright © 2020 HITRON INC. All right reserved.

Specifications are subject to change without notice.