



# HVR-16780

Full HD AHD/TVI Hybrid Digital Video Recorder

## Key Features

- Support AHD, TVI, 960H and D1 Camera
- Real Time Full HD Live/Playback with Smart Display
- Up to 240fps Full HD Recording
- Dual Recording(Main-Full, Sub-VGA)
- Audio In/Out
- Alarm In/Out
- Internal HDD : 4xSATA Port
- 2U 19" Rack Mountable

## Key Functions

- 1:1 Monitoring System(Up to 16 Recorders)
- Camera Menu and PTZ Control over Coax Cable
- DDNS, DVRNS, Dashboard
- Advanced Event Search
- Live PIP Mode
- Digital Zoom In/Out in Live/Playback(x2, x4, x6, x8)
- ATM/POS Support
- Support Network/USB Printer
- Network Drive Backup into Cloud Service (Google Drive, Dropbox)
- S.M.A.R.T. Health Check

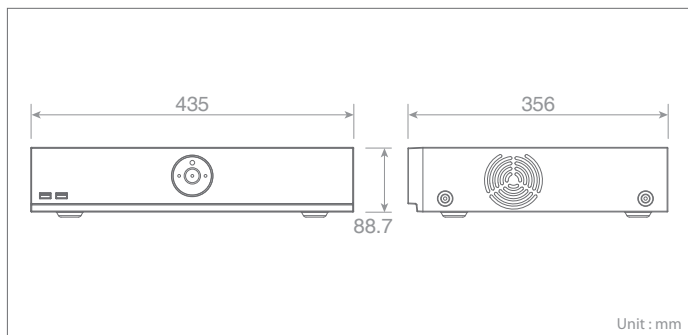
## Software

- Titanium 2.0
- Titanium Mobile

## Optional Accessory

- HAS-08IE(8 Bay iSCSI Storage)
- HAS-16I(16 Bay iSCSI Storage)

## Dimension



## Technical Specifications

Model	HVR-16780	
<b>VIDEO</b>		
Video Input Channel	Up to 16CH (16 BNC, 4 IP Configurable)	
Video Input Type	AHD, TVI, CVBS, IP	
Video Input Resolution	BNC	1080p, 720p, 960H, D1(CVBS)
	IP	Up to 2M
Display Output	1 VGA, 1 HDMI, 1 BNC(Spot, CVBS)	
Display Resolution	VGA, HDMI	1920x1080, 1280x720, 1024x768
	Spot	1.0 Vp-p(75ohm, Composite)
Display Speed	400/480fps	
Display Mode	VGA, HDMI	1/4/9/16 Split, Sequence
	Spot	1/16 Split, Sequence
<b>RECORDING</b>		
Compression	H.264	
Recording Resolution	BNC	1080p, 720p, 960H
	IP	Up to 2M
Recording Speed	Main Stream : 200/240fps@1080p Sub Stream : 200/240fps@VGA	
Recording Mode	Continuous, Motion, Alarm, C+M, C+A, M+A, C+M+A, Panic	
Pre Alarm	1~5sec	
Post Alarm	5sec~10min	
<b>PLAYBACK</b>		
Simultaneous Playback	1/4/9/16 Split	
Playback Mode	Backward, Forward 2~64x	
Search Mode	Time, Event, Thumbnail, Text, Smart(Motion)	
<b>STORAGE</b>		
Internal HDD	4 SATA Interface	
External Storage	iSCSI	
Backup	USB, Cloud	
Backup File Format	AVI, H4V	
<b>FUNCTION</b>		
PTZ & OSD Control	RS485, UTC	
Text in	POS/ATM(Network, RS485, USB)	
User Interface	Mouse, USB/RS485 Keyboard	
<b>NETWORK</b>		
PTZ & OSD Control	1 RJ45 10/100/1000 Base-T	
Max. Network Throughput	288Mbps, Support Bandwidth Control	
Remote Monitoring	CMS, Mobile, Web, Dashboard	
<b>EXTERNAL IN/OUT</b>		
Audio	16 Input(4 RCA+12 D-sub) / 1 RCA Output, 1 HD Output	
Alarm	16 Input / 1 Output(Terminal Block)	
Serial Port	1 RS485(Terminal Block)	
USB	2 USB(Front)	
<b>ETC</b>		
Operating Humidity	0~90% RH(Non-Condensing)	
Operating Temperature	0~+40 °C	
Power Supply	12VDC, 5A	
Power Consumption	Max. 41.4W(Include 4HDD)	
Dimension(WxHxD)	435.7x88.7x356mm	
Net Weight	3.8kg(Exclude HDD)	

Specifications are subject to change without notice.