

# TMT-22032D3(H)

20X HD-TVI & AHD Hybrid Mini Speed Dome Camera

## Key Features

- Hybrid HD Analog Camera : AHD or HD-TVI
- 1080p@25/30fps
- 20X Auto Focus Zoom Lens
- 16X Digital Zoom
- True WDR, True Day & Night
- Max. 380°/sec Speed(Preset)
- Preset(240), Tour(8), Pattern(8), Privacy(16)
- Alarm Input(4), Alarm Output(2)
- 12VDC, 24VAC
- IP66

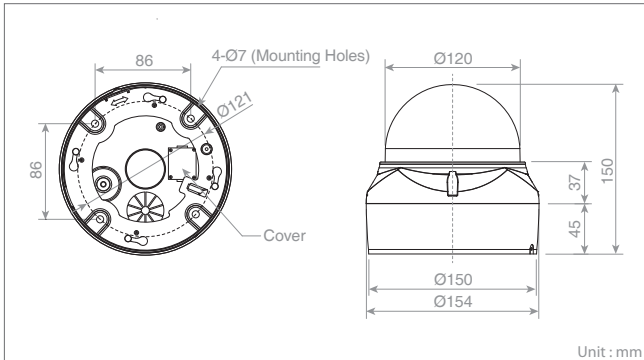
## Technical Specifications

Model	TMT-22032D3	TMT-22032D3H
<b>IMAGE</b>		
Model	TMT-22032D3	TMT-22032D3H
Lens	Optical Zoom 20X, 4.7~94mm	
Angle of View	55.5~3°(H)	
Image Sensor	Type	1/2.8" SONY STARVIS CMOS Sensor
	Pixels	1945(H)x1097(V)
Min. Illumination	Color : 0.35Lux / BW : 0.013Lux, 50IRE	
Scanning Mode	Progressive Scan	
Wide Dynamic Range	True WDR	
Day and Night Mode	True Day & Night	
Noise Reduction	3DNR	
Digital Zoom	16X	
Exposure Control	Auto, Manual, Shutter Priority, Iris Priority	
White Balance Control	Auto, Fluorescent, Incandescent, Outdoor, Manual	
Back Light Compensation	Yes	
Image Effect	Flip(Digital)	
Shutter Speed	25/30fps : Auto(1/30,000~x8sec), Manual 50/60fps : Auto(1/50,000~x8sec), Manual	
DIS	Yes	
Defog	Yes	
<b>VIDEO</b>		
Resolution	HD-TVI : 1080p@25/30fps, 720p@25/30/50/60fps AHD : 1080p@25/30fps	
Video Output	HD-TVI or AHD, Composite	
<b>PTZ FUNCTION</b>		
Pan Range	360° Endless	
Pan Speed	Max. 380°/sec.(Preset)	
Tilt Range	-10~190°	
Tilt Speed	Max. 380°/sec.(Preset)	
Auto Calibration	0.1~6"	
Preset	240	
Tour	8	
Pattern	8	
Home Function	Yes	
Privacy Mask Zone	16 Programmable Zones	
<b>EXTERNAL IN/OUT</b>		
Video HD-TVI or AHD Output	BNC Jack	
Video Composite Output	BNC Jack	
Alarm	4 Input, 2 Output	
Control	RS-485, Baud Rate : 2,400~38,400bps(Default : 9,600bps)	
ID(Camera Address)	1~3999	
<b>ETC</b>		
Operating Humidity	0~90% RH(Non-Condensing)	
Operating Temperature	-10~+50 °C	-30~+50 °C
Power Supply	12VDC, 24VAC	24VAC
Power Consumption	1A(12W)@12VDC, 24VAC	1.5A(22W)@24VAC
Dimension	154(Ø)x150(H)mm	
Net Weight	Approx. 1.6kg	
Ingress Protection	IP66	

## Optional Accessory

- HDB243(Wall Bracket)
- HVPCB2(Ceiling Bracket)
- HVPWB2(Wall Bracket)
- HDA301(Conduit Adapter)

## Dimension



Specifications are subject to change without notice.