

TFT-22033D1A

30X HD-TVI & AHD Hybrid Speed Dome Camera

Key Features

- Hybrid HD Analog Camera : AHD or HD-TVI
- 1080p@25/30fps
- 30X Auto Focus Zoom Lens
- True WDR, True Day & Night
- Max. 380°/sec Speed(Preset)
- Preset(240), Tour(8), Pattern(8), Privacy(16)
- Alarm Input(4), Alarm Output(2)
- 12VDC, 24VAC
- IP66

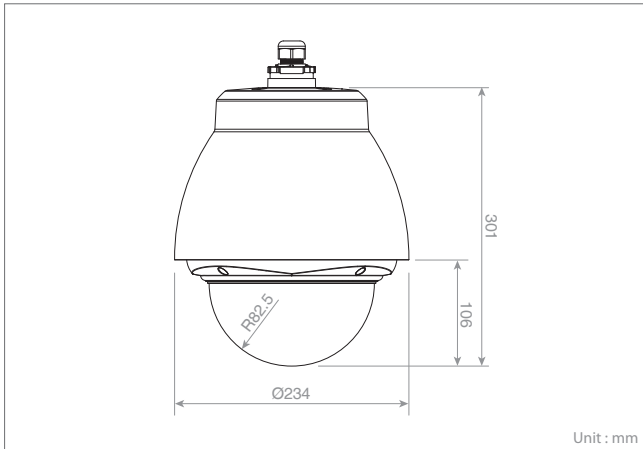
Technical Specifications

| | |
|----------------------------|--|
| Model | TFT-22033D1A |
| IMAGE | |
| Lens | Optical Zoom 30X, 4.3~129mm |
| Angle of View | 65.1~2.23°(H) |
| Image Sensor | Type: 1/2.8" SONY STARVIS CMOS Sensor Pixels: 1945(H)x1097(V) |
| Min. Illumination | Color : 0.35Lux / BW : 0.013Lux@50IRE |
| Scanning Mode | Progressive Scan |
| Wide Dynamic Range | True WDR |
| Day and Night Mode | True Day & Night |
| Noise Reduction | 3DNR |
| Digital Zoom | 16X |
| Exposure Control | Auto, Manual, Shutter Priority, Iris Priority |
| White Balance Control | Auto, Fluorescent, Incandescent, Outdoor, Manual |
| Back Light Compensation | Yes |
| Image Effect | Flip |
| Shutter Speed | 25/30fps : Auto(1/30,000~x8 sec.), Manual 50/60fps : Auto(1/50,000~x8 sec.), Manual |
| DIS | Yes |
| Defog | Yes |
| VIDEO | |
| Resolution | HD-TVI : 1080p@25/30fps, 720p@25/30/50/60fps AHD : 1080p@25/30fps |
| Video Output | HD-TVI or AHD, Composite |
| PTZ FUNCTION | |
| Pan Range | 360° Endless |
| Pan Speed | Max. 380°/sec.(Preset) |
| Tilt Range | -10~190° |
| Tilt Speed | Max. 380°/sec.(Preset) |
| Auto Calibration | 0.1~6" |
| Preset | 240 |
| Tour | 8 |
| Pattern | 8 |
| Home Function | Yes |
| Privacy Mask Zone | 16 Programmable Zones |
| EXTERNAL IN/OUT | |
| Video HD-TVI or AHD Output | BNC Jack |
| Video Composite Output | BNC Jack |
| Alarm | 4 Input, 2 Output |
| Control | RS-485, Baud Rate : 2,400~38,400bps(Default : 9,600bps) |
| ID(Camera Address) | 1~3999 |
| ETC | |
| Operating Humidity | 0~90% RH(Non-Condensing) |
| Operating Temperature | -50~+65 °C |
| Power Supply | Camera : 12VDC, 24VAC Heater & Fan : 24VAC |
| Power Consumption | Camera : 1A(12W)@12VDC, 24VAC Heater & Fan : 2.2A(50W)@24VAC |
| Dimension | 234(Ø)x301(H)mm |
| Net Weight | Approx. 3.3kg |
| Ingress Protection | IP66 |

Optional Accessory

- HDB241 (Housing Ceiling Bracket)
- HCM201 (Roof & Parapet Mount)

Dimension



Specifications are subject to change without notice.