

NVX-6354R/6374R

3MP / Full HD Built-in IR LED Network Vandal Dome Camera

Key Features

- 3M Resolution 25/30fps
- NVX-6354 : Varifocal 2.8~12mm Lens
- NVX-6374 : Motorized Varifocal 2.8~12mm Lens(F1.4)
- True Day & Night
- D-WDR(ATR-EX)
- 36 IR LEDs for 35m Coverage
- Audio In/Out(1/1), Alarm In/Out(1/1)
- Micro SD Card up to 128GB
- PoE, 12VDC
- IP66

Technical Specifications

Model	NVX-6354R	NVX-6374R
IMAGE		
Model	NVX-6354R	NVX-6374R
Lens	Varifocal 2.8~12mm, F1.4, DC Iris	Motorized Varifocal 2.8~12mm, F1.4, DC Iris
Angle of View		97~37°(H)
Image Sensor	Type	1/2.8" SONY STARVIS CMOS Sensor
	Pixels	2065(H)x1553(V)
Min. Illumination	Color	0.1Lux / BW : 0Lux@F1.4, 50IRE
Scanning Mode		Progressive Scan
Wide Dynamic Range		D-WDR(72dB)
Day and Night Mode		True D/N(Auto, Day, Night)
Noise Reduction		3DNR
Digital Zoom		16X
Exposure Control		Auto
White Balance Control		Auto, Incandescent, Fluorescent, Outdoor
Back Light Compensation		Yes
Image Effect		Flip, Mirror, Aisle, Defog, HLC, S-LDC
Flicker Free Mode		50Hz, 60Hz
Shutter Speed		Auto(1/10,000~1sec), Manual
IR Illuminator	Quantity	36 IR LEDs
	Angle	76°(H)
	Distance	Up to 35m
Motorized Lens Control		-
VIDEO/AUDIO		
Compression		H.264(Baseline, Main, High Profile), MJPEG
Bitrate Control		CVBR, VBR
Resolution		2048x1536, 1920x1080, 1280x720/1024, 704x480/576, 640x480, 352x240/288, 320x240
Frame Rate		Max. 25/30fps@3MP
Streaming		25/30fps(Triple Stream : H.264x2, MJPEGx1)
Composite Out		-
Audio Compression		G.711
Audio Streaming		2 Way
SYSTEM		
Video Contents Analysis		Tampering, Line Detector, Field Detector
Motion Detection Area		16 Programmable Area(Include Area 8, Exclude Area 8)
Privacy Mask Zone		8 Programmable Zone
FTP Uploading		MJPEG
Event Notification		E-mail, FTP, Notification Server, XML Notification, AIHM
Audio Alert		User-Defined 3 Audio Files
Login Authority		Administrator, Operator, Guest
Event Buffering	FTP	Pre : 30sec, Post : 30sec
	SD Record	Pre : 10sec, Post : 60sec
Manual Trigger		4 Programmable Trigger
Security		Multi User Authority, IP Filtering, HTTPS, SSL
Network Time Sync		NTP Server, Synchronized Computer, Manual
Software Reset		Restart, Reset, Factory Default
Hardware Factory Reset		Yes
Auto Recovery		Backup, Restore
Remote Upgrade		Web Browsing(IE, Chrome, Safari, Firefox), SmartManager
SD Recording Mode		Event, Continuous
NETWORK		
Protocol		TCP/IP, UDP, IPv4/v6, HTTP, HTTPS, QoS, FTP, UPnP, RTP, RTSP, RTCP, DHCP, ARP, Zeroconf, Bonjour
Client Software		Web, SmartManager, Client S/W, Mobile S/W
Max. User Connection		Live : 10 Users, Playback : 3 Users
API Support		Open API, Onvif Compliance
Mobile Support		Android, iOS
EXTERNAL IN/OUT		
Video Composite Out		-
Audio		1 Input, 1 Output(Terminal Block)
Alarm		1 Input, 1 Output(Terminal Block)
Ethernet		RJ-45(10/100Base-T)
u-SD Card		SDHC, SDXC(128GB)
RS485		-
OSD Remote Control		-
ETC		
Operating Humidity		0~90%RH(Non-Condensing)
Operating Temperature		-20~+50 °C
Power Supply		PoE(IEEE802.3af Compliance, Class0), 12VDC
Power Consumption		120mA(5.7W)@PoE / 450mA(5.4W)@12VDC
Dimension		146(Ø)x106(H)mm
Net Weight		Approx. 850g
Ingress Protection		IP66

Key Functions

- Auto Exposure, Auto White Balance
- Triple Stream(H.264, MPEG4, MJPEG)
- Onvif Profile S
- Easy Install : Zero Configuration, Discovery, PoE
- Event Boosting, FTP Image Upload, Web Casting, Open VPN, QoS, IP Filtering
- Cross Web Browsing(IE, Safari, Firefox, Chrome)
- Privacy Masking
- AIHM Event
- Event Buffering
- Video Contents Analysis

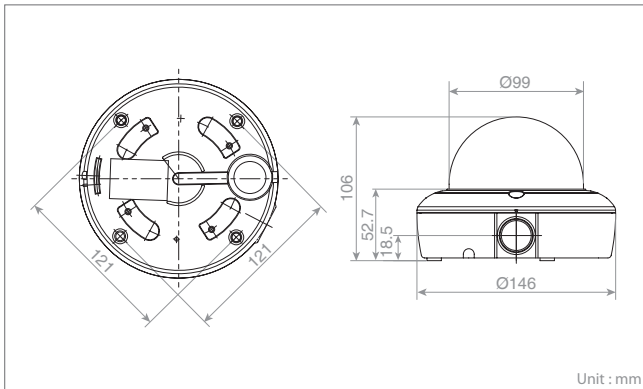
Software

- SmartManager
- NC-Titanium
- Tive HD
- Titanium Plus VMS

Optional Accessory

- HDB243(Wall Mount)
- HVPWB2(Wall Mount)
- HVPCB2(Ceiling Mount)
- HDA302(Conduit Adapter)

Dimension



Unit : mm