



# NUX-6354R

3M Built-in IR LED Bullet Network Camera

## Key Features

- 3M Resolution 25/30fps
- Varifocal 2.8~12mm Lens(F1.4)
- True Day & Night
- D-WDR(ATR-EX)
- 32 IR LEDs for 30m Coverage
- Audio In/Out(1/1), Alarm In/Out(1/1)
- Micro SD Card up to 128GB
- PoE, 12VDC
- IP66

## Technical Specifications

Model	NUX-6354R	
<b>IMAGE</b>		
Lens	Varifocal 2.8~12mm, F1.4, DC Iris	
Angle of View	97~37°(H)	
Image Sensor	Type	1/2.8" SONY STARVIS CMOS Sensor
	Pixels	2065(H)x1553(V)
Min. Illumination	Color : 0.1Lux / BW : 0Lux@F1.4, 50IRE	
Scanning Mode	Progressive Scan	
Wide Dynamic Range	D-WDR(72dB)	
Day and Night Mode	True D/N(Auto, Day, Night)	
Noise Reduction	3DNR	
Digital Zoom	16X	
Exposure Control	Auto	
White Balance Control	Auto, Incandescent, Fluorescent, Outdoor	
Back Light Compensation	Yes	
Image Effect	Flip, Mirror, Aisle, Defog, HLC, S-LDC	
Flicker Free Mode	50Hz, 60Hz	
Shutter Speed	Auto(1/10,000~1sec), Manual	
IR Illuminator	Quantity	32 IR LEDs
	Angle	76°(H)
	Distance	Up to 30m
Motorized Lens Control	-	
<b>VIDEO/AUDIO</b>		
Compression	H.264(Baseline, Main, High Profile), MJPEG	
Bitrate Control	CVBR, VBR	
Resolution	2048x1536, 1920x1080, 1280x1024, 1280x720/960, 1024x768, 704x480/576, 640x360/480, 320x240	
Frame Rate	Max. 25/30fps	
Streaming	25/30fps(Triple Stream : H.264x2, MJPEGx1)	
Composite Out	-	
Audio Compression	G.711	
Audio Streaming	2 Way	
<b>SYSTEM</b>		
Video Contents Analysis	Tampering, Line Detector, Field Detector	
Motion Detection Area	16 Programmable Area(Include Area 8, Exclude Area 8)	
Privacy Mask Zone	8 Programmable Zone	
FTP Uploading	MJPEG	
Event Notification	E-mail, FTP, Notification Server, XML Notification, AIHM	
Audio Alert	User-Defined 3 Audio Files	
Login Authority	Administrator, Operator, Guest	
Event Buffering	FTP	Pre : 30sec, Post : 30sec
	SD Record	Pre : 10sec, Post : 60sec
Manual Trigger	4 Programmable Trigger	
Security	Multi User Authority, IP Filtering, HTTPS, SSL	
Network Time Sync	NTP Server, Synchronized Computer, Manual	
Software Reset	Restart, Reset, Factory Default	
Hardware Factory Reset	Yes	
Auto Recovery	Backup, Restore	
Remote Upgrade	Web Browsing(IE, Chrome, Safari, Firefox), SmartManager	
SD Recording Mode	Event, Continuous	
<b>NETWORK</b>		
Protocol	TCP/IP, UDP, IPv4/v6, HTTP, HTTPS, QoS, FTP, UPnP, RTP, RTSP, RTCP, DHCP, ARP, Zeroconf, Bonjour	
Client Software	Web, SmartManager, Client S/W, Mobile S/W	
Max. User Connection	Live : 10 Users, Playback : 3 Users	
API Support	Open API, Onvif Compliance	
Mobile Support	Tive HD(Android, iOS)	
<b>EXTERNAL IN/OUT</b>		
Video Composite Out	-	
Audio	1 Input, 1 Output(Terminal Block)	
Alarm	1 Input, 1 Output(Terminal Block)	
Ethernet	RJ-45(10/100Base-T)	
u-SD Card	SDHC, SDXC(128GB)	
RS485	-	
OSD Remote Control	-	
<b>ETC</b>		
Operating Humidity	0~90%RH(Non-Condensing)	
Operating Temperature	-20~+50 °C	
Power Supply	PoE(IEEE802.3 af Compliance, Class0), 12VDC	
Power Consumption	150mA(7.2W)@PoE / 590mA(7W)@12VDC	
Dimension	87(W)x98.4(H)x300(D)mm	
Net Weight	Approx. 850g	
Ingress Protection	IP66	

## Key Functions

- Auto Exposure, Auto White Balance
- Triple Stream(H.264, MPEG4, MJPEG)
- Onvif Profile S
- Easy Install : Zero Configuration, Discovery, PoE
- Event Boosting, FTP Image Upload, Web Casting, Open VPN, QoS, IP Filtering
- Cross Web Browsing(IE, Safari, Firefox, Chrome)
- Privacy Masking
- AIHM Event
- Event Buffering
- Video Contents Analysis

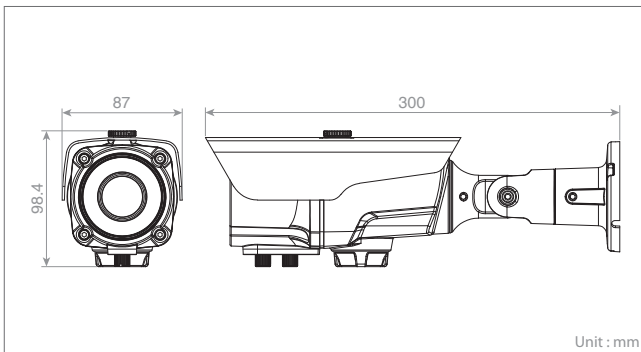
## Software

- SmartManager
- NC-Titanium
- Tive HD
- Titanium Plus VMS

## Optional Accessory

- HJB200(Junction Box)

## Dimension



Specifications are subject to change without notice.