



HDGI-N31NN(P)F3S22D

1080p AHD Analog IR VP Dome Camera

Key Features

- 1/2.8" 2.4M Sony Exmor CMOS Sensor
- 1920x1080p Full HD Resolution(AHD)
- 3.6mm Fixed Lens
- Digital WDR
- Day & Night(IR Cut Filter)
- 3DNR(Digital Noise Reduction)
- Sens-up(~x30)
- Smart IR(24 IR LEDs)
- IP66, Vandal Proof

Key Functions

- AHD/CVBS Selectable
- High Speed, Long Distance Real Time Transmission
- NTSC/PAL Selectable
- Defog
- LSC(Lens Shading Correction)
- HSBLC(Hightlight Suppression BLC)
- Motion Detection
- Privacy Masking
- Coaxial Communication

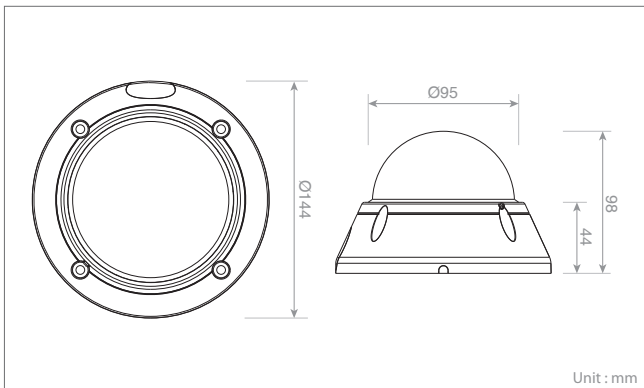
Series Model

- HDGI-N31NN(P)V2S22D - 2.8~12mm VF Lens

Optional Accessory

- HDB243(Wall Mount)
- HVPWB2(Wall Mount)
- HVPCB2(Ceiling Mount)
- HCM150(Corner Mount)
- HCM151(Pole Mount)
- HDA401(Angle Bracket)
- HDA302(Conduit Adapter)

Dimension



Technical Specifications

Model	HDGI-N31NN(P)F3S22D	
POWER		
Power Source	DC12V±10%	
Power Consumption	Max. 4.3Watts(360mA)	
GENERAL		
Image Sensor	1/2.8" 2.4M Sony CMOS	
Total Pixels	2000(H)x1121(V)	
Active Pixels	1920(H)x1080(V)	
Scanning System	Progressive	
Sync. System	Internal	
Video Frame Rate	1920x1080p@25fps ; 1920x1080p@30fps	
CVBS Resolution	1000TVL	
Min. Illumination	1.0Lux(Color), 0Lux(BW, IR LED On)	
Video Output	BNC (AHD-High Definition Video Output/CVBS-Standard Definition Video Output)	
IR	IR LED	24EA IR LED(850nm)
	Distance	25m
S/N ratio	More Than 50dB(AGC Off)	
Camera Control	OSD(Joystick switch, Coaxial Communication)	
FUNCTION		
Lens	Manual	
Exposure	Shutter	Auto, 1/60(1/50), FLK~1/50,000sec
	AGC	1~15
	Sens-Up	Off/Auto(x2, x4, x6, x8, x10, x15, x20, x25, x30)
	Brightness	1~100
	DWDR	Off/On/Auto
	Defog	Off/Auto
	Backlight	Off/BLC/HSBLC
White Balance	ATW/Push/Indoor/Outdoor/Manual/AWB	
Day & Night	Auto/Color/B&W	
DNR	2DNR	Off/Low/Middle/High
	3DNR	Off/Low/Middle/High
Special	Camera Title	Off/On
	D-Effect	Off/Freeze/Mirror/Neg.Image
	Motion Detection	Off/On(4 Zone)
	Privacy Masking	Off/On(4 Zone)
	Language	ENG/JPN/CHN1/CHN2/KOR/GER/FRA/ITA/SPA/POL/RUS/POR/NED/TUR/HEB/ARB
	Defect Detection	Live DPC/White DPC/Black DPC
	Sharpness	Off/Auto(0~10)
	Monitor	CRT/LCD
	LSC(Shading)	Off/On
	Video Mode	NTSC/PAL
COMET	Off/On	
Save & Exit	Save & Exit/No Save/Reset	
CONNECTOR & ETC		
Power Input	DC Jack	
Video Output	BNC Connector - AHD, CVBS	
Transmission Distance	Over 500m Via 75-3 Coaxial Cable	
Lens Mount	Fixed Mount	
Lens	f=3.6mm F2.0 Fixed Lens, ICR(D&N)	
Operating Temperature	-10~+50 °C (14~122°F)	
Operating Humidity	0~96%(Non-Condensing)	
External Dimension	Ø144x98mm	
Weight	530g	
Ingress Protection	IP66	

Specifications are subject to change without notice.