



HDGI-N21NN(P)F3A32D

720p AHD Analog IR Plastic Dome Camera

Key Features

- 1/3" 1.3M Sony Exmor CMOS Sensor
- 1280x720p HD Resolution(AHD)
- 3.6mm Fixed Lens
- Digital WDR
- Day & Night(IR Cut Filter)
- 3DNR(Digital Noise Reduction)
- Sens-up(~x30)
- Smart IR(24 IR LEDs)

Technical Specifications

Model	HDGI-N21NN(P)F3A32D	
POWER		
Power Source	DC12V±10%	
Power Consumption	Max. 4.3Watts(360mA)	
GENERAL		
Image Sensor	1/3" 1.3M Sony CMOS	
Total Pixels	1312(H)x1069(V)	
Active Pixels	1296(H)x1041(V)	
Scanning System	Progressive	
Sync. System	Internal	
Video Frame Rate	1280x720p@25fps ; 1280x720p@30fps	
CVBS Resolution	1000TVL	
Min. Illumination	1.0Lux(Color), 0Lux(BW, IR LED On)	
Video Output	BNC (AHD-High Definition Video Output/CVBS-Standard Definition Video Output)	
IR	IR LED	24EA IR LED(850nm)
	Distance	25m
S/N ratio	More Than 50dB(AGC Off)	
Camera Control	OSD(Joystick switch, Coaxial Communication)	
FUNCTION		
Lens	Manual	
Exposure	Shutter	Auto, 1/60, FLK~1/50,000sec
	AGC	1~15
	Sens-Up	Off/Auto(x2, x4, x6, x8, x10, x15, x20, x25, x30)
	Brightness	1~100
	DWDR	Off/On/Auto
	Defog	Off/Auto
Backlight	Off/BLC/HSBLC	
White Balance	ATW/Push/Indoor/Outdoor/Manual/AWB	
Day & Night	Auto/Color/B&W	
DNR	2DNR	Off/Low/Middle/High
	3DNR	Off/Low/Middle/High
Special	Camera Title	Off/On
	D-Effect	Off/Freeze/Mirror/Neg.Image
	Motion Detection	Off/On(4 Zone)
	Privacy Masking	Off/On(4 Zone)
	Language	ENG/JPN/CHN1/CHN2/KOR/GER/FRA/ITA/SPA/POL/RUS/POR/NED/TUR/HEB/ARB
	Defect Detection	Live DPC/White DPC/Black DPC
	Sharpness	Off/Auto(0~10)
	Monitor	CRT/LCD
	LSC(Shading)	Off/On
	Video Mode	NTSC/PAL
	COMET	Off/On
Save & Exit	Save & Exit/No Save/Reset	
CONNECTOR & ETC		
Power Input	DC Jack	
Video Output	BNC Connector - AHD, CVBS	
Transmission Distance	Over 500m Via 75-3 Coaxial Cable	
Lens Mount	Fixed Mount	
Lens	f=3.6mm F2.0 Fixed Lens, ICR(D&N)	
Operating Temperature	-10~+50 °C (14~122°F)	
Operating Humidity	0~96%(Non-Condensing)	
External Dimension	Ø120x88mm	
Weight	300g	

Key Functions

- AHD/CVBS Selectable
- High Speed, Long Distance Real Time Transmission
- NTSC/PAL Selectable
- Defog
- LSC(Lens Shading Correction)
- HSBLC(Hightlight Suppression BLC)
- Motion Detection
- Privacy Masking
- Coaxial Communication

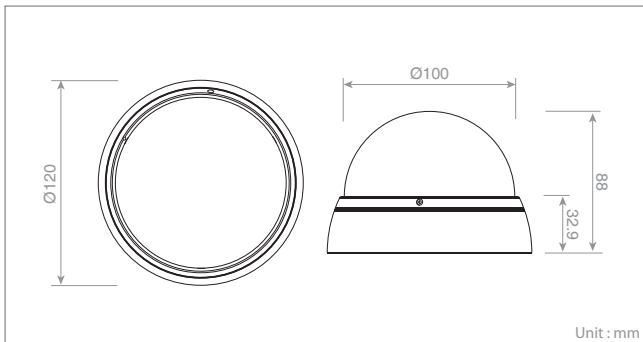
Series Model

- HDGI-N21NN(P)V2A32D - 2.8~12mm VF Lens

Optional Accessory

- HDB344(Wall Mount)
- HDA401(Angle Bracket)

Dimension



Specifications are subject to change without notice.