



### Key Functions

- Auto Exposure, Auto White Balance
- Triple Stream(H.264, MPEG4, MJPEG)
- Onvif Profile S
- Easy Install : Zero Configuration, Discovery, PoE
- Event Boosting, FTP Image Upload, Web Casting, Open VPN, QoS, IP Filtering
- Cross Web Browsing(IE, Safari, Firefox, Chrome)
- Privacy Masking
- AIHM Event
- Event Buffering

### Series Model

- NUT-8213D(-40~45°C, Heater)
- NUT-8223D(-40~45°C, Heater)

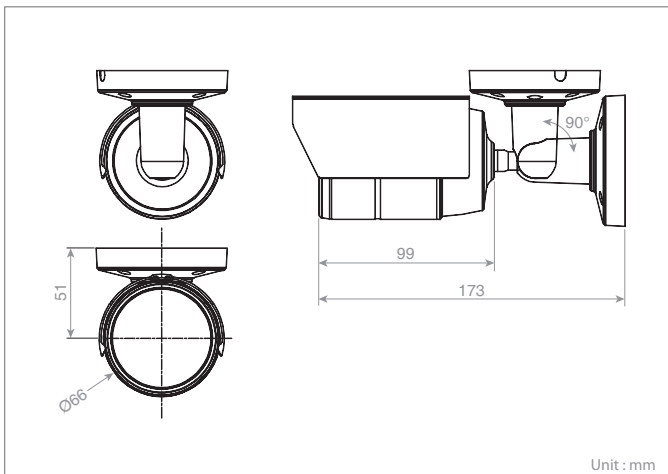
### Software

- SmartManager
- NC-Titanium
- Tive HD
- Titanium Plus VMS

### Optional Accessory

- HJB200(Junction Box)

### Dimension



# NUT-8213R/8223R

## Full HD Built-in IR LED Entry Bullet Network Camera

### Key Features

- Full HD(1920x1080) Resolution
- Fixed 3.6mm Lens(F=1.8)
- True Day & Night
- 24 IR LEDs for 20M Coverage
- SD Card up to 32GB
- PoE, 12VDC
- IP67

### Technical Specifications

Model	NUT-8213R / NUT-8213D	NUT-8223R / NUT-8223D
<b>IMAGE</b>		
Lens	Fixed-Focal 3.7mm, F1.8	Varif-Focal 3.5~16mm, F1.2, DC IRIS
Angle of View	90.0°(H)	26~85°(H)
Image Sensor	1/2.8"SONY Exmor CMOS Sensor	
Type	2,000(H)x1,241(V)	
Min. Illumination	Color : 0.2 Lux@F1.8 50IRE, BW : 0 Lux@F1.8 50IRE(IR LED On)	Color : 0.2 Lux@F1.2 50IRE, BW : 0 Lux@F1.2 50IRE(IR LED On)
Scanning Mode	Progressive Scan	
Day and Night Mode	True Day & Night(Auto, Day, Night)	
Noise Reduction	2DNR	
Digital Zoom	Yes(ROI)	
Exposure Control	Auto, Hold Current	
White Balance Control	Auto, Incandescent, Fluorescent, Outdoor	
Back Light Compensation	Yes	
Image Effect	Flip, Mirror	
Flicker Free Mode	50Hz, 60Hz	
Shutter Speed	Auto(1/20,000~1/30sec, 1/15, 1/8, 1/4 Slow Shutter), Manual	
IR Illuminator	Quantity	24 IR LEDs
	Angle	76°(H)
	Distance	Up to 20M
<b>VIDEO/AUDIO</b>		
Compression	H.264(Baseline, Main, High Profile), MJPEG	
Bitrate Control	CBR, VBR	
Resolution	1920x1080, 1280x720/1024, 704x480/576, 640x480, 352x240/288, 320x240	
Frame Rate	Max. 25/30fps	
Streaming	Max. 25/30fps(Triple Stream : H.264x2, MJPEGx1)	
<b>SYSTEM</b>		
Motion Detection Area	16 Programmable Area(Include Area 8, Exclude Area 8)	
Privacy Mask Zone	8 Programmable Zone	
FTP Uploading	MJPEG	
Event Notification	E-mail, FTP, Notification Server, XML Notification, AIHM	
Login Authority	Administrator, Operator, Guest	
Event Buffering	FTP	Pre : 30sec, Post : 30sec
	SD Record	Pre : 10sec, Post : 60sec
Manual Trigger	4 Programmable Trigger	
Security	Multi User Authority, IP Filtering, HTTPS, SSL	
Network Time Sync	NTP Server, Synchronized Computer, Manual	
Software Reset	Restart, Reset, Factory Default	
Hardware Factory Reset	Yes	
Auto Recovery	Backup, Restore	
Remote Upgrade	Web Browsing(IE, Chrome, Safari, Firefox), SmartManager, NC-Titanium	
SD Recording Mode	Event, Continuous	
<b>NETWORK</b>		
Protocol	TCP/IP, UDP, IPv4/v6, HTTP, HTTPS, QoS, FTP, UPnP, RTP, RTSP, RTCP, DHCP, ARP, Zeroconf, Bonjour	
Client Software	Web, SmartManager, NC-Titanium, Tive HD	
Max. User Connection	Live : 10 Users, Playback : 3 Users	
API Support	Open API, Onvif Compliance	
Mobile Support	Tive HD(Android, iOS)	
<b>EXTERNAL IN/OUT</b>		
Ethernet	RJ-45(10/100Base-T)	
u-SD Card	SDHC(Max. 32GB)	
<b>ETC</b>		
Operating Humidity	0~90%RH(Non-Condensing)	
Operating Temperature	-10~+50°C, -30~+50°C(W/Heater)	-10~+50°C, -30~+50°C(W/Heater)
Power Supply	PoE(IEEE802.3 af Compliance, Class0), 12VDC	
Power Consumption	125mA(6.0W)@PoE, 500mA(6.0W)@12VDC	125mA(6.0W)@PoE, 500mA(6.0W)@12VDC
Dimension	66(Ø)x173(L)mm	66(Ø)x190.5(L)mm
Net Weight	445g	570g
Ingress Protection	IP67	

Specifications are subject to change without notice.