



Key Functions

- Auto Exposure, Auto White Balance
- Triple Stream(H.264, MPEG4, MJPEG)
- Onvif Profile S
- Easy Install : Zero Configuration, Discovery, PoE
- Event Boosting, FTP Image Upload, Web Casting, Open VPN, QoS, IP Filtering
- Cross Web Browsing(IE, Safari, Firefox, Chrome)
- Privacy Masking
- AIHM Event
- Event Buffering

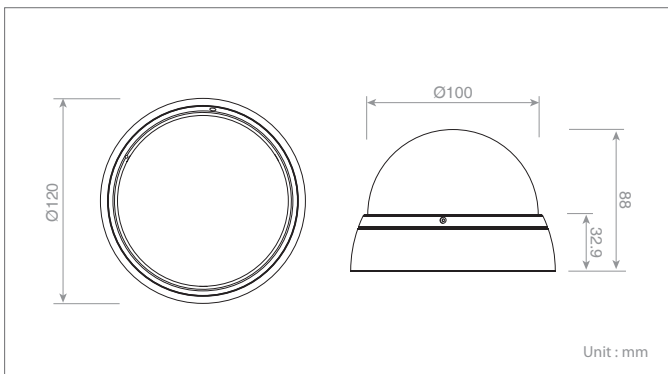
Software

- SmartManager
- NC-Titanium
- Tive HD
- Titanium Plus VMS

Optional Accessory

- HDB344(Wall Bracket)

Dimension



NDT-8213R

Full HD Built-in IR LED Entry Indoor Dome Network Camera

Key Features

- Full HD(1920x1080) Resolution
- Fixed 3.6mm lens(F=1.8)
- True Day & Night
- 24 IR LEDs for 20M Coverage
- SD Card Up to 32GB
- PoE, 12VDC

Technical Specifications

Model	NDT-8213R	
IMAGE		
Lens	Fixed-Focal 3.7mm, F1.8	
Angle of View	90.0°(H)	
Image Sensor	Type	1/2.8" Sony Exmor CMOS Sensor
	Pixels	2,000(H)x1,241(V)
Min. Illumination	Color : 0.2 Lux@F1.8 50IRE, BW : 0 Lux@F1.8 50IRE(IR LED On)	
Scanning Mode	Progressive Scan	
Day and Night Mode	True Day & Night(Auto, Day, Night)	
Noise Reduction	2DNR	
Digital Zoom	Yes(ROI)	
Exposure Control	Auto, Hold Current	
White Balance Control	Auto, Incandescent, Fluorescent, Outdoor	
Back Light Compensation	Yes	
Image Effect	Flip, Mirror	
Flicker Free Mode	50Hz, 60Hz	
Shutter Speed	Auto(1/20,000~1/30sec, 1/15, 1/8, 1/4 Slow Shutter), Manual	
IR Illuminator	Quantity	24 IR LEDs
	Angle	76°(H)
	Distance	Up to 20M
VIDEO/AUDIO		
Compression	H.264(Baseline, Main, High Profile), MJPEG	
Bitrate Control	CBR, VBR	
Resolution	1920x1080, 1280x720/1024, 704x480/576, 640x480, 352x240/288, 320x240	
Frame Rate	Max. 25/30fps	
Streaming	Max. 25/30fps(Triple Stream : H.264x2, MJPEGx1)	
SYSTEM		
Motion Detection Area	16 Programmable Area(Include Area 8, Exclude Area 8)	
Privacy Mask Zone	8 Programmable Zone	
FTP Uploading	MJPEG	
Event Notification	E-mail, FTP, Notification Server, XML Notification, AIHM	
Login Authority	Administrator, Operator, Guest	
	FTP	Pre : 30sec, Post : 30sec
Event Buffering	SD Record	Pre : 10sec, Post : 60sec
	4 Programmable Trigger	
Manual Trigger	Multi User Authority, IP Filtering, HTTPS, SSL	
Security	NTP Server, Synchronized Computer, Manual	
Network Time Sync	Restart, Reset, Factory Default	
Software Reset	Yes	
Hardware Factory Reset	Backup, Restore	
Auto Recovery	Web Browsing(IE, Chrome, Safari, Firefox), SmartManager, NC-Titanium	
Remote Upgrade	Event, Continuous	
SD Recording Mode		
NETWORK		
Protocol	TCP/IP, UDP, IPv4/v6, HTTP, HTTPS, QoS, FTP, UPnP, RTP, RTSP, RTCP, DHCP, ARP, Zeroconf, Bonjour	
Client Software	Web, SmartManager, NC-Titanium, Tive HD	
Max. User Connection	Live : 10 Users, Playback : 3 Users	
API Support	Open API, Onvif Compliance	
Mobile Support	Tive HD(Android, iOS)	
EXTERNAL IN/OUT		
Ethernet	RJ-45(10/100Base-T)	
u-SD Card	SDHC(Max. 32GB)	
ETC		
Operating Humidity	0~90% RH(Non-Condensing)	
Operating Temperature	-10~+45 °C	
Power Supply	PoE(IEEE802.3 af Compliance, Class0), 12VDC	
Power Consumption	125mA(6.0W)@PoE, 500mA(6.0W)@12VDC	
Dimension	120(Ø)x88(H)mm	
Net Weight	335g	

Specifications are subject to change without notice.