

Key Functions

- Auto Exposure, Auto White Balance
- Triple Stream(H.264, MPEG4, MJPEG)
- Onvif Profile S
- Easy Install : Zero Configuration, Discovery, PoE
- Event Boosting, FTP Image Upload, Web Casting, Open VPN, QoS, IP Filtering
- Cross Web Browsing(IE, Safari, Firefox, Chrome)
- Privacy Masking
- AIHM Event
- Event Buffering

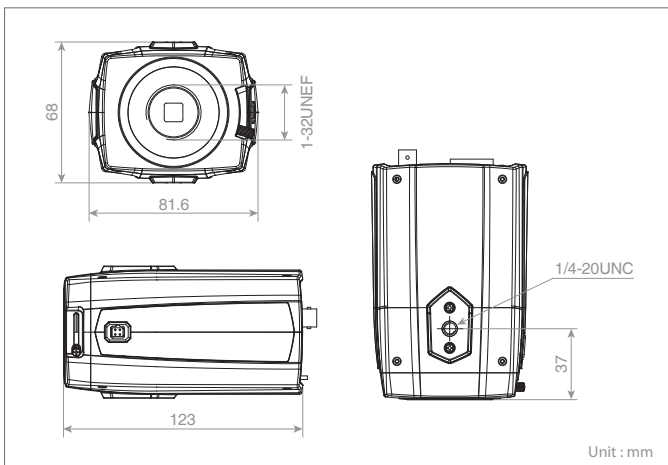
Software

- SmartManager
- NC-Titanium
- Tive HD
- Titanium Plus VMS

Optional Accessory

- HCH Housing Series
- HCS Bracket Series

Dimension



Unit : mm

NBT-6311

3MP Professional Box Network Camera

Key Features

- 3MP(2048x1536) 20fps, Full HD(1920x1080) 30fps
- C/CS Mount Lens
- True Day & Night
- Alarm Input(1), Alarm Output(1), Audio Input(1), Audio Output(1)
- SD Card Up to 32GB
- PoE, 12VDC, 24VAC

Technical Specifications

Model	NBT-6311	
IMAGE		
Lens	C/CS Mount	
Angle of View	Lens Dependent	
Image Sensor	Type	1/2.8" SONY Exmor CMOS Sensor
	Pixels	2,144(H)x1,588(V)
Min. Illumination	Color : 0.5 Lux@F1.2 50IRE, BW : 0.07 Lux@F1.2 50IRE	
Scanning Mode	Progressive Scan	
Wide Dynamic Range	Digital WDR(ATR-EX)	
Day and Night Mode	True Day & Night(Auto, Day, Night)	
Noise Reduction	2DNR	
Digital Zoom	Yes(ROI)	
Exposure Control	Auto, Hold Current	
White Balance Control	Auto, Incandescent, Fluorescent, Outdoor	
Back Light Compensation	Yes	
Image Effect	Flip, Mirror	
Flicker Free Mode	50Hz, 60Hz	
Shutter Speed	Auto(1/20,000~1/30sec, 1/15, 1/8, 1/4 Slow Shutter), Manual	
VIDEO/AUDIO		
Compression	H.264(Baseline, Main, High Profile), MJPEG	
Bitrate Control	CBR, VBR	
Resolution	2048x1536, 1920x1080, 1280x720/1024, 704x480/576, 640x480, 352x240/288, 320x240	
Frame Rate	Max. 20fps@3MP, 25/30fps@Full-HD	
Streaming	17/20fps@3MP, 25/30fps@Full-HD(Triple Stream : H.264x2, MJPEGx1)	
Composite Out	Yes	
Audio Compression	G.711	
Audio Streaming	2 Way	
SYSTEM		
Motion Detection Area	16 Programmable Area(Include Area 8, Exclude Area 8)	
Privacy Mask Zone	8 Programmable Zone	
FTP Uploading	MJPEG	
Event Notification	E-mail, FTP, Notification Server, XML Notification, Audio Alert, AIHM	
Audio Alert	User-Defined 3 Audio files	
Login Authority	Administrator, Operator, Guest	
Event Buffering	FTP	Pre : 30sec, Post : 30sec
	SD Record	Pre : 10sec, Post : 60sec
Manual Trigger	4 Programmable Trigger	
Security	Multi User Authority, IP Filtering, HTTPS, SSL	
Network Time Sync	NTP Server, Synchronized Computer, Manual	
Software Reset	Restart, Reset, Factory Default	
Hardware Factory Reset	Yes	
Auto Recovery	Backup, Restore	
Remote Upgrade	Web Browsing(IE, Chrome, Safari, Firefox), SmartManager, NC-Titanium	
SD Recording Mode	Event, Continuous	
NETWORK		
Protocol	TCP/IP, UDP, IPv4/v6, HTTP, HTTPS, QoS, FTP, UPnP, RTP, RTSP, RTCP, DHCP, ARP, Zeroconf, Bonjour	
Client Software	Web, SmartManager, NC-Titanium, Tive HD	
Max. User Connection	Live : 10 Users, Playback : 3 Users	
API Support	Open API, Onvif Compliance	
Mobile Support	Tive HD(Android, iOS)	
EXTERNAL IN/OUT		
Video Composite Out	3.5mm Stereo Jack	
Audio	1 Input, 1 Output(3.5mm Stereo Jack)	
Alarm	1 Input, 1 Output(Terminal Block)	
Ethernet	RJ-45(10/100Base-T)	
u-SD Card	SDHC(Max. 32GB)	
RS485	Yes	
OSD Remote Control	Wired Remote Controller(3.5mm Stereo Jack, Optional)	
ETC		
Operating Humidity	0~90%RH(Non-Condensing)	
Operating Temperature	-10~+50 °C	
Power Supply	PoE(IEEE802.3 af Compliance, Class0), 12VDC, 24VAC	
Power Consumption	170mA(8.1W)@PoE, 590mA(7.1W)@12VDC, 610mA(8W)@24VAC	
Dimension	81.6(W)x68(H)x37(L)mm	
Net Weight	345g	

Specifications are subject to change without notice.