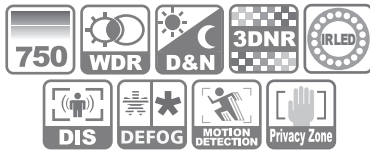


# HCGI-P61DN(P)V2A32

750TVL WDR IR Dome Camera



## Key Functions

- DIS(Digital Image Stabilization)
- Defog
- Smart Digital Zoom
- IR Optimizer(Color Night Mode)
- Lens/IR Shading Compensation
- Excessive High-Light Compensation
- Motion Detection
- Privacy Masking
- Coaxial Communication

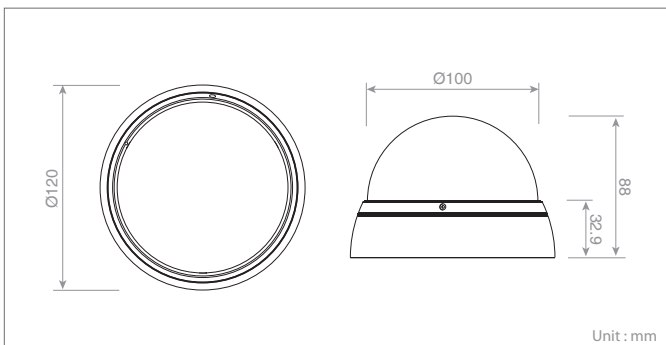
## Series Model

- HCGI-P65DN(P)V2A324-12VDC/24VAC, RS485
- HCG-P61DN(P)V2A32-without IR LED
- HCGI-P71NN(P)V2A32-without True WDR
- HCG-P71NN(P)V2A32-without IR LED, without True WDR

## Optional Accessory

- HDB344(Wall Mount)

## Dimension



## Key Features

- 1/3" Super-HAD II Dual Scan 960H CCD
- 750TVL Horizontal Resolution
- True WDR(~x512)
- Day & Night(IR Cut Filter)
- 2D, 3DNR(Digital Noise Reduction)
- Sens-Up(~x256)
- Smart IR(24 IR LEDs)

## Technical Specifications

Model	HCGI-P61DNV2A32 / NTSC	HCGI-P61DPV2A32 / PAL
<b>POWER</b>		
Power Source	DC12V±10%	
Power Consumption	Max. 4.3Watts(360mA)-IR LED On	
<b>GENERAL</b>		
Image Sensor	1/3" Super-HAD II Dual Scan 960H CCD	
Total Pixels	1,020(H)x508(V)	1,028(H)x596(V)
Active Pixels	976(H)x494(V)	976(H)x582(V)
Scanning System	2:1 Interlace	
Scanning Frequency	15.734KHz(H)x59.94Hz(V)	15.625KHz(H)x50Hz(V)
Sync. System	Internal	
Resolution	750TVL	
Min. Illumination	0.1Lux(Color), 0.01Lux(BW), 0.001Lux(Sens-Up), 0Lux(IR LED On)@F1.2, 50IRE	
Video Output	1.0 Vp-p(75ohm, Composite)	
IR	IR LED	24EA IR LED(850mm)
	Distance	25M
S/N Ratio	More Than 50dB(AGC Off)	
Camera Control	OSD(Joystick Switch, Coaxial Communication)	
<b>FUNCTION</b>		
Lens	DC	
Scene Select	Custom/Full Auto/Indoor/Outdoor/Backlight/ITS	
WDR	WDR/ATR-EX(Low/Mid/High)/Off	
Shutter	1/50(60)-1/10,000(Auto:1/100,000)	
Brightness	0~255	
AGC	6~44.8DB	
Sens-Up	Off/Auto	
White Balance	ATW/Push/Indoor/Outdoor/Manual/AWB	
Defog	On(Low/Mid/High)/Off	
Day & Night	Auto/Color/B&W	
D & N Auto	D → N Level	0~243
	N → D Level	0~255
	Delay	0~255
	Smart IR Level	1~12
Special	LSC(Shading)	On/Off
	Motion Detection	Detect Scene/Interval/Block DISP/Mask Area/Monitor Area
	Privacy Masking	Max. 15(Tilt, Color, Transparency, Mosaic)
	DNR	2DNR, 3DNR : Gain Adjust
	D-Effect	V-Flip/Mirror/Rotation/Nega&Posi/Freeze/Sharpness
	D-Zoom	Off/0~x255(E-Zoom)/Pan/Tilt
	HLC/BLC	Off/HLC/BLC
	DIS	On/Off
	Flickerless	On/Off
	Sharpness	0~15
	Monitor	LCD/CRT
	Color Night	On/Off
Defect Detection	Auto/Manual/Done(Max 64 Point), Detected Pixel Display	
Camera Title	On/Off	
Anti Color-Rolling	Auto/On/Off	
Language	English/Spanish/Russian/Portuguese/German/French/Japanese	
Reset	Reset	
<b>CONNECTOR &amp; ETC</b>		
Power Input	DC Jack	
Video Output	BNC Connector	
Lens Mount	Fixed Mount	
Lens	f=2.8~12mm F1.4~360 Varifocal, ICR(D&N)	
Operating Temperature	14~122°F(-10~+50°C)	
Operating Humidity	0~96%(Non-Condensing)	
Dimension	Ø120x88mm	
Weight	300g	

Specifications are subject to change without notice.