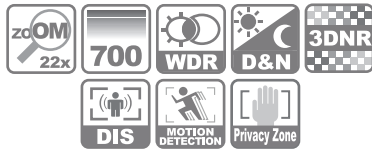


HCA-P572F(N/PRDW2)



HCZ-P572W(N/PRHZ1)



Key Functions

- DIS(Digital Image Stabilization)
- HLC(High Light Compensation)
- Motion Detection
- Privacy Masking
- Zoom Preset, Tour
- Digital Flip and Rotate
- Built-In Heater&Fan(HCA-P572F)

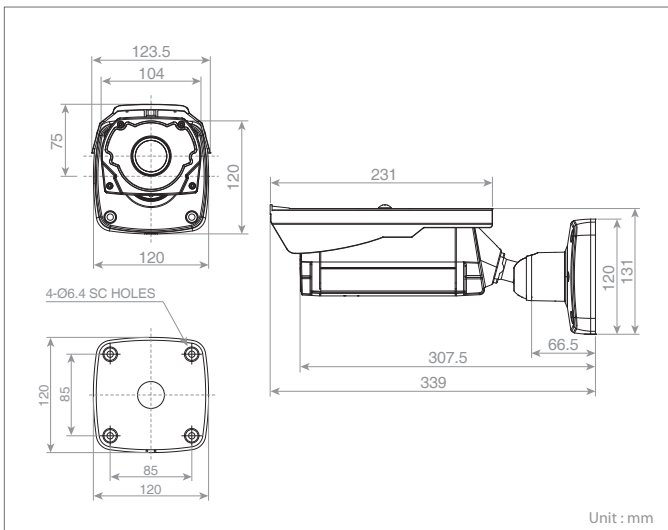
Series Model

- HCZ-P573W-x36 AF Zoom Box

Optional Accessory

- HCH808 Series(Housing)
- HCS161/170/171(Housing Bracket)
- HCS-805E/811S(Camera Bracket)

Dimension



HCA-P572F/HCZ-P572W

x22 AF Zoom WDR Camera

Key Features

- Optical x22, Digital x16 Zoom
- 1/4" Super-HAD II Dual Scan 960H CCD
- 700TVL Horizontal Resolution
- True WDR(~x512)
- Day & Night(IR Cut Filter)
- 2D,3DNR(Digital Noise Reduction)
- Sens-Up(~x512)
- Smart IR(70 IR LEDs)(HCA-P572F)
- IP66(HCA-P572F)

Technical Specifications

	HCA-P572F(NRDW2) / NTSC HCA-P572F(PRDW2) / PAL	HCZ-P572W(NRHZ1) / NTSC HCZ-P572W(PRHZ1) / PAL
Input Voltage	24VAC/12VDC	12VDC
Power Consumption	20W(1A)-Fan&Heater On)	4W(0.3A)
Effective Pixels	1/4" Super-HAD II Dual scan 960H CCD NTSC : 1,020(H)x508(V)/PAL : 1,020(H)x596(V)	
Scanning System	NTSC : 976(H)x494(V)/PAL : 976(H)x582(V)	
Synchronization	2:1 Interlace Internal	
Horizontal Resolution	NTSC: 15.734KHz(H), 59.94Hz(V)/PAL: 15.625KHz(H), 50Hz(V)	
Min. Illumination	Color: 0.1 Lux, B/W: 0.01 Lux, IR LED On: 0 Lux	Color: 0.1 Lux, B/W&Slow Shutter: 0.00001 Lux
	More Than 50dB	
	1.0 Vp-p, 75 ohm Composite	
	22x(Optical)	
	3.9(Wide)~85.8(Tele)mm	
Max. Aperture Ratio	F1.6(Wide)~F3.7(Tele)	
Min. Object Distance	0.1M/1.0M/1.5M/2.5M/6.0M	
Angular Field of View	3.9-49.5°(H)/85.8-2.4°(H)mm	
	Auto/Manual/Push AF	
OPERATIONAL		
Wide Dynamic Range	On/Off(x512)	
Back Light Compensation	Off/HLC/BLC/BLC-M(BLC Manual) Auto/Color/BW	
Night Light(IR LED On/Off)	70EA(850nm) Off/Near/All	- -
	80M(Min. Distance: 50cm)	-
Motion Detection	On/Off	
Digital Image Stabilization	On/Off	
Digital Slow Shutter	x2~x512	
Digital Noise Reduction	2D/3D	
Privacy Masking	1~16 Zone	
White Balance	AWB/WAWB/Indoor/Outdoor/Manual/CRS	
Auto Exposure	Auto1/Auto2/Shutter PRI/Manual Auto	
	Min/Low/Mid/High(30dB Max.)	
Shutter Speed	Normal~1/100,000 A~Z/0~9	
	On/Off/On/Off	
	10~50 Steps	
	0~15 Steps	
	Preset 1~10 Tour 1	
Camera Control	RS232/RS485(Fastrax, Pelco, AD key) 2400/4800/9600/19200 001~255 Off/V-flip/H-flip/Rotate Off/Home Preset Select/Dwell Time	
	3-Pin Terminal Block BNC Connector	2-Pin Terminal Block BNC Connector
ENVIRONMENTAL		
Operating Temperature	-30~50°C(Built-in Heater&Fan) -10~50°C 0~96% RH(Non-Condensing)	
MECHANICAL		
	120(W)x131(H)x339(D)mm	62(W)x62(H)x105(D)mm
	1850g	220g
Ingress Protection	IP66	

Specifications are subject to change without notice.