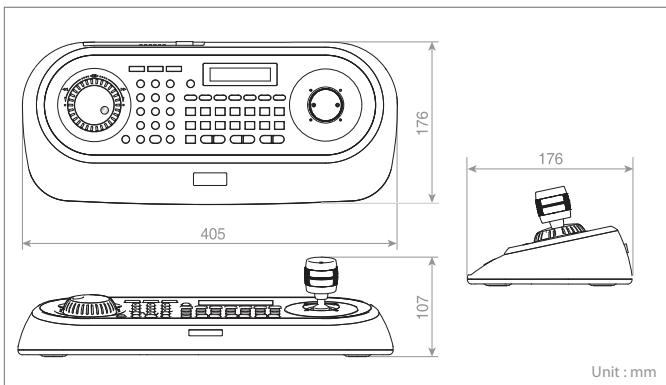




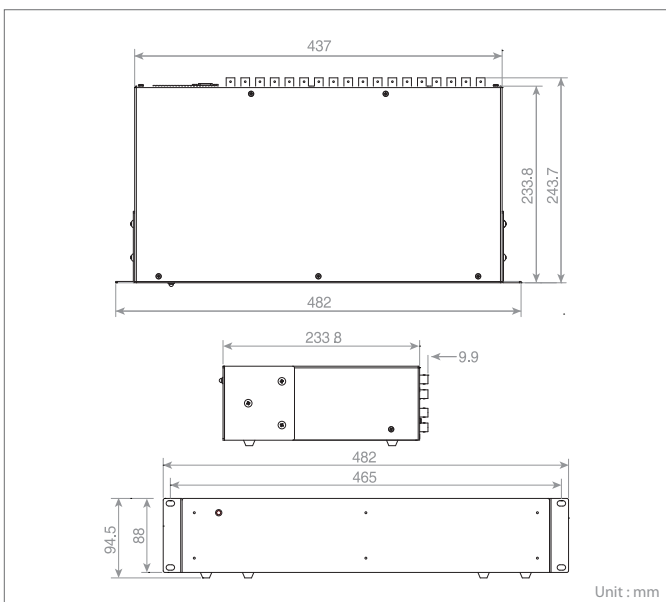
### Dimension



Unit : mm



### Dimension



Unit : mm

# HUK5000N(P)

## USB KEYBOARD CONTROLLER

### Key Features

- USB Interface for Easy Plug and Play
- 3-Axis Joystick Control of PTZ Functions
- Multi-Function Keys and LCD Display
- Jog Dial for Smoother Control of DVR
- Recalls Up to 508 Cameras
- Excellent System Compatibility with Multiple Protocols
- Stylish Design

### Technical Specifications

Model	HUK5000N(NTSC)	HUK5000P(PAL)
<b>Communication</b>		
Interface	RS-485/232/USB	
Data Port	Dome 1/2(Terminal Block), RS-232, Micro USB	
Baud Rate	2,400~38,400bps(USB Mode is Only 9,600bps)	
Control Unit	Up to 508 Dome Cameras Including Alarm Mode On Slave Keyboard(not supported in USB mode "ON")/DVR/Multiplexer	
Protocol	Pelco-P/D, Fill, File	
RS232	DVR/Upgrade	
USB	USB Interface Control	
<b>Operational</b>		
LCD Display	16x2 Line LCD	
Joystick	3 Axis Twist Zoom	
Jog Shuttle	DVR Playback Control	
On Screen Display	English	
<b>Environmental</b>		
Operating Temperature	0~50 °C	
Operating Humidity	0~90%(Non-Condensing)	
<b>Electrical</b>		
Input Voltage/Current	12VDC	
Power Consumption	6W	
<b>Mechanical</b>		
Dimension(WxHxD)	405x176x107mm(15.9"x6.9"x4.2")	
Weight	1.2Kg	

# HMX328

## Matrix Switcher Controller

### Key Features

- 32 Video Input and 8 Monitor Output
- Up to 32 Devices Like Dome Camera or DVR Controllable Via Protocol with Keyboard Controller
- RS485, RS422 Selectable Port for Dome Camera Control
- RS485 Port Supported for External Devices Like DVR and Keyboard
- RS232 Port Supported for DVR Control or PC Connection
- Using 16 Matrix Switchers, 512x128 Parallel Matrix System Connections Can be Configured
- Using 5 Matrix Switchers, 128x8 Master Slave Matrix System Connections Can be Configured
- Max 8 Keyboards Supported with 2 Keyboard Communication Ports
- Battery Backup Clock Displays Real Time On The Monitor Out
- 16 External Alarm Inputs and 2 Alarm Outputs Supported
- Program 80 Event Timer Events Supports
- Menu Password is Supported for Higher Security

### Technical Specifications

Model	HMX328
<b>Communication</b>	
Interface	RS-485/232/422
Data Port	Dome 1/2(Terminal Block, Data 1/2(RJ45), RS-232
Video Input	32 Channel Composite Video
Video Output	8 Channel Composite Video
<b>Operational</b>	
Alarm Input	16x2 Line LCD
Alarm Output	3 Axis Twist Zoom
Operation Distances	DVR Playback Control
<b>Environmental</b>	
Operating Temperature	0~50 °C
Operating Humidity	10~90%(Non-Condensing)
<b>Electrical</b>	
Input Voltage/Current	12VDC
Power Consumption	12W
<b>Mechanical</b>	
Dimension(WxHxD)	437x88x233.8mm
Weight	3.7Kg