



Key Functions

- Auto Exposure, Auto White Balance
- Triple Stream(H.264, MPEG4, MJPEG)
- Onvif Profile S
- Easy Install : Zero Configuration, Discovery, PoE
- Event Boosting, FTP Image Upload, Web Casting, Open VPN, QoS, IP Filtering
- Cross Web Browsing(IE, Safari, Firefox, Chrome)
- Privacy Masking
- AIHM Event
- Event Buffering

Series Model

- NVX-2223D(-40~+45 °C, Heater)
- NVX-2233D(-40~+45 °C, Heater, Motorized Lens)
- NVX-2253D(-40~+45 °C, Heater, Advanced VCA)
- NVX-2273D(-40~+45 °C, Heater, Motorized Lens, Advanced VCA)
- NVX-22x3T(-30~+45 °C, PoE Heater)

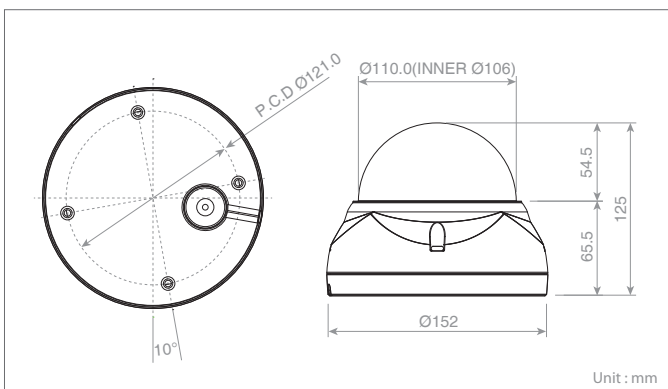
Software

- SmartManager
- NC-Titanium
- Tive HD
- Titanium Plus VMS

Optional Accessory

- HDB243(Wall Bracket)
- HCS300(Flush Mount)

Dimension



NVX-2223/2233/2253/2273

Full HD WDR, Built-in VCA Professional Vandalproof Dome Network Camera

Key Features

- Full HD(1920x1080) 50/60fps, 25/30fps
- Vari-Focal 3~9mm(F1.2, NVX-2223R, NVX-2253R)
- Motorized Vari-Focal 3~9mm(F1.2 NVT-2233R, NVX-2273R)
- True WDR(120dB)
- True Day & Night
- Alarm Input(1), Alarm Output(1), Audio Input(1), Audio Output(1)
- Easy IP Address Setup by Wired Remote Controller(Remote Controller Optional)
- SD Card Up to 32GB
- PoE, 12VDC, 24VAC
- IP66

Technical Specifications

Model	NVX-2223 / NVX-2223H	NVX-2233 / NVX-2233H
Advanced VCA Model	NVX-2253 / NVX-2253H	NVX-2273 / NVX-2273H
IMAGE		
Lens	Vari-Focal 3.0~9.0mm, F1.2, DC IRIS	Motorized Vari-Focal 3.0~9.0mm, F1.2, DC IRIS
Angle of View	100~40°(H)	
Image Sensor	1/2.8" SONY Exmor CMOS Sensor	
Type	1,952(H)x1,236(V)	
Pixels	1,952(H)x1,236(V)	
Min. Illumination	Color : 0.4 Lux@F1.2, 50IRE, BW : 0.01 Lux@F1.2, 50IRE	
Scanning Mode	Progressive Scan	
Wide Dynamic Range	True WDR(120dB)	
Day and Night Mode	True Day & Night(Auto, Day, Night)	
Noise Reduction	2DNR, 3DNR	
Digital Zoom	Yes(ROI)	
Exposure Control	Auto, Hold Current	
White Balance Control	Auto, Incandescent, Fluorescent, Outdoor	
Back Light Compensation	Yes	
Image Effect	Flip, Mirror, Aisle	
Flicker Free Mode	50Hz, 60Hz	
Shutter Speed	Auto(1/10,000~10sec), Manual	
Motorized Lens Control	-	Yes
VIDEO/AUDIO		
Compression	H.264(Baseline, Main, High Profile), MJPEG	
Bitrate Control	CVBR, VBR	
Resolution	1920x1080, 1280x720/1024, 704x480/576, 640x480, 352x240/288, 320x240	
Frame Rate	Max. 50/60fps@Full-HD	
Streaming	50/60fps(Dual Stream : H.264x1, MJPEGx1), 25/30fps(Triple Stream : H.264x2, MJPEGx1)	
Composite Out	Yes	
Audio Compression	G.711	
Audio Streaming	2 Way	
SYSTEM		
Video Contents Analysis	DIS, Defog, Face Detection, Tampering, Line Detector, Field Detector(Built-in VCA) DIS, Defog, Face Detection, Tampering, Line Detector, Field Detector, Absent(Advanced VCA)	
Motion Detection Area	16 Programmable Area(Include Area 8, Exclude Area 8)	
Privacy Mask Zone	8 Programmable Zone	
FTP Uploading	MJPEG	
Event Notification	E-mail, FTP, Notification Server, XML Notification, Audio Alert, AIHM	
Audio Alert	User-Defined 3 Audio files	
Login Authority	Administrator, Operator, Guest	
Event Buffering	FTP	Pre : 30sec, Post : 30sec
SD Record	SD Record	Pre : 10sec, Post : 60sec
Manual Trigger	4 Programmable Trigger	
Security	Multi User Authority, IP Filtering, HTTPS, SSL	
Network Time Sync	NTP Server, Synchronized Computer, Manual	
Software Reset	Restart, Reset, Factory Default	
Hardware Factory Reset	Yes	
Auto Recovery	Backup, Restore	
Remote Upgrade	Web Browsing(IE, Chrome, Safari, Firefox), SmartManager, NC-Titanium	
SD Recording Mode	Event, Continuous	
NETWORK		
Protocol	TCP/IP, UDP, IPv4/v6, HTTP, HTTPS, QoS, FTP, UPnP, RTP, RTSP, RTCP, DHCP, ARP, Zeroconf, Bonjour	
Client Software	Web, SmartManager, NC-Titanium, Tive HD	
Max. User Connection	Live : 10 Users, Playback : 3 Users	
API Support	Open API, Onvif Compliance	
Mobile Support	Tive HD(Android, iOS)	
EXTERNAL IN/OUT		
Video Composite Out	3.5mm Stereo Jack	
Audio	1 Input, 1 Output(3.5mm Stereo Jack)	
Alarm	1 Input, 1 Output(Terminal Block)	
Ethernet	RJ-45(10/100Base-T)	
u-SD Card	SDHC(Max. 32GB)	
OSD-Remote Control	Wired Remote Controller(3.5mm Stereo Jack, Optional)	
ETC		
Operating Humidity	0~90%RH(Non-Condensing)	
Operating Temperature	-10~+45, -40~+45 with Heater(NVX-22x3H)	
Power Supply	PoE(IEEE802.3 af Compliance, Class0), 12VDC, 24VAC	
Power Consumption	100mA(4.7W)@PoE, 119mA(5.4W) @PoE(Advanced VCA)	115mA(5.0W)@PoE, 127mA(5.6W) @PoE(Advanced VCA)
	360mA(4.1W)@12VDC, 408mA(4.8W) @12VDC(Advanced VCA)	382mA(4.4W)@12VDC, 427mA(4.9W) @12VDC(Advanced VCA)
	405mA(4.7W)@24VDC, 420mA(5.6W) @24VDC(Advanced VCA)	424mA(5.0W)@24VDC, 486mA(5.8W) @24VDC(Advanced VCA)
Dimension	152(Ø)x125(H)mm	
Net Weight	Approx. 970g	
Ingress Protection	IP66	